

Integra®

BioFix® Amniotic Allografts

Limit uncertainty with a family of amniotic allografts designed to meet your surgical needs



INTEGRA®
LIMIT UNCERTAINTY

BioFix® Amniotic Allografts are derived from human placental tissue and are offered in several sizes and volumes for use in a broad range of clinical applications. BioFix Amniotic Allografts are carefully processed using HydraTek® technology, a proprietary process designed to preserve the natural structure and biological properties of the tissue, to provide ideal graft handling, strength, and performance.¹

Amniotic Tissue Features & Benefits

Foundation for Regeneration

The Extracellular Matrix contains collagen and other fibrous proteins that provide a structural scaffold to support cellular migration. Naturally occurring growth factors, fibronectin, integrins, laminins, and hyaluronic acid play a key role in cell proliferation, differentiation, and adherence to the scaffold.^{2,3}

Reduces Inflammation, Scarring and Pain

Amniotic tissues may reduce inflammation, fibrous tissue growth, and potential scar tissue formation.^{4,5}

Non-Immunogenic

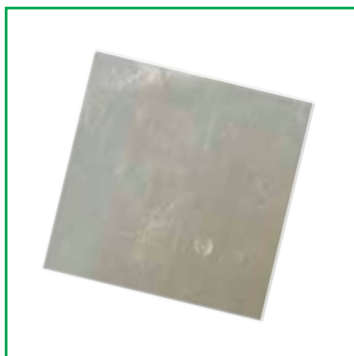
Amniotic tissues are immune privileged, possessing little or no risk of foreign body reaction.⁶

Anti-Microbial

Application of amniotic tissues has been shown to reduce bacteria counts in a wide range of bacteria.⁷



Integra® BioFix®
Amniotic Membrane Allograft



Integra® BioFix® Plus
Amniotic Membrane Allograft



Integra® BioFix® Flow
Placental Tissue Matrix Allograft

Tissue Safety: All Integra amniotic allografts are sourced from live, healthy U.S. based donors after C-section delivery. Donors are screened and selected based on a stringent criteria and the final disposition of donor is determined by a licensed physician. Serologic testing and tissue culture swabs are performed for each donor. Donor screening, tissue collection and processing protocols meet or exceed applicable FDA regulations and industry standards.

HydraTek® technology preserves the tissue's natural structure and biological properties to provide ideal graft handling, strength, and performance.



Integra® BioFix® and BioFix® Plus Amniotic Membranes

Description

Integra® BioFix® and Integra® BioFix® Plus are sterile, human tissue allografts, derived from allogeneic dehydrated and decellularized amniotic membrane. It is intended for homologous use as a wound covering for surgical sites, voids, and tissue defects. BioFix (amnion only) and BioFix Plus (chorion based) membranes are easy to handle and apply in a variety of defects.

Omnidirectional Placement

Membranes can be implanted on either side to provide an effective covering and gliding surface over the tissue.

Simple Application

Require no preparation for use. The membranes are implantable wet or dry and adhere to the wound bed without the need for fixation.

Ultra-Thin Coverage

Create no additional bulk at the wound site.

Integra® BioFix® Flow Placental Tissue Matrix

Description

Integra® BioFix® Flow is a sterile, human tissue allograft, derived from decellularized particulate human placental connective tissue matrix. It is intended for homologous use as a connective tissue matrix.

Easy Preparation

BioFix Flow is ready to implant—no mixing necessary.

Off the Shelf Storage

BioFix Flow can be stored at an ambient temperature for 5 years.

Flexible Application

BioFix Flow precisely targets defects using a range of needle gauges for ease of implantation.



Integra® BioFix® Amniotic Membrane Allograft

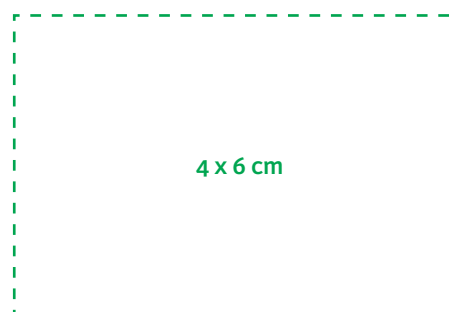
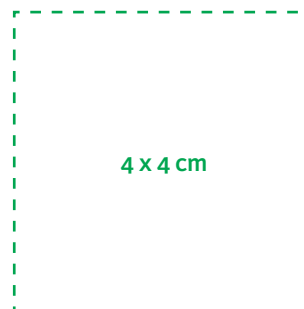
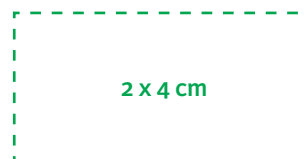
Reference	Description	Size
BF24045	BioFix Membrane	2 x 4 cm
BF44045	BioFix Membrane	4 x 4 cm
BF46045	BioFix Membrane	4 x 6 cm
BF48045	BioFix Membrane	4 x 8 cm

Integra® BioFix® Plus Amniotic Membrane Allograft

Reference	Description	Size
BF24200	BioFix Plus Membrane	2 x 4 cm
BF44200	BioFix Plus Membrane	4 x 4 cm
BF46200	BioFix Plus Membrane	4 x 6 cm
BF48200	BioFix Plus Membrane	4 x 8 cm

Integra® BioFix® Flow Placental Tissue Matrix Allograft

Reference	Description	Size
BFA050	BioFix Flow	0.5cc
BFA100	BioFix Flow	1.0cc
BFA200	BioFix Flow	2.0cc



Actual membrane sizes

BioFix Amniotic Allografts are available off the shelf at ambient temperatures with a 5 year shelf life.

Always refer to the appropriate instructions for use for complete clinical instructions.

References:

- 1 Data on file at Human Regenerative Technologies, LLC (HRT).
- 2 Kesting, MR, Wolff KD, Hohlweg-Majert B, Steinstraesser L. The Role of Allogenic Amniotic Membrane in Burn Treatment. Journal of Burn Care & Research. 2008; 29(6): 907–916.
- 3 Ganatra MA. Amniotic Membrane in Surgery. J Pak Med Assoc 2003; 53:29–32.
- 4 Steed DL, Trumpower C, Duffy D, Smith C, Marshall V, Rupp R, et al. Amnion-Derived Cellular Cytokine Solution: A Physiological Combination of Cytokines for Wound Healing. Eplasty 2008;8:e18.
- 5 Liu J, Sheha H, Fu1 Y, Liang L, Tseng SC. Update on Amniotic Membrane Transplantation. Expert Rev Ophthalmol. 2010; 5(5), 645–661.
- 6 Hao Y, Ma DH, Hwang DG, Kim WS, Zhang F. Identification of Antiangiogenic and Antiinflammatory Proteins in Human Amniotic Membrane. Cornea. 2000; 19: 348–352.
- 7 Kubo M, Sonoda Y, Muramatsu R, & Usui M. Immunogenicity of Human Amniotic Membrane in Experimental Xenotransplantation. Invest Ophthalmol& Visl Science. 2001; 42(7), 1539–1546.

For more information or to place an order, please contact:

United States

USA 800-654-2873 ▪ 888-980-7742 fax
 International +1 609-936-5400 ▪ +1 609-750-4259 fax
integralife.com/contact

